

PRESSURE WASHER HOSE

2 WIRE COMPACT 6000 PSI PRESSURE WASHER HOSE

MAVERICK 6000 GPWH



6000 PSI WORKING PRESSURE

Built to handle demanding pressure washer applications.



ABRASION, OZONE, OIL & WEATHER RESISTANT

Durable cover for long hose life in harsh environments.



TWO WIRE BRAID REINFORCEMENT

High tensile steel wire for strength and reliability.



WIDE TEMPERATURE RANGE

Performs in hot or cold conditions.



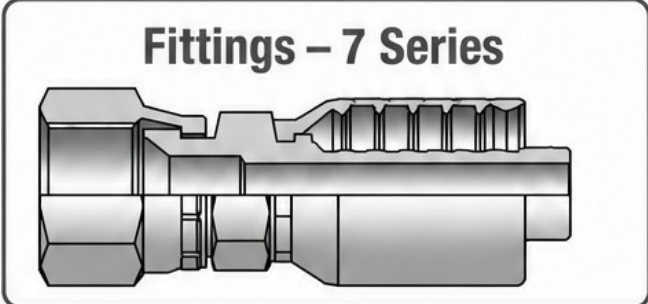
IDEAL FOR COLD & HOT WATER APPLICATIONS

Perfect for cleaning equipment, vehicles, and industrial use.

Part No	Description	Assembly	Hose ID		Working Pressure		Burst Pressure		Bend Radius		Weight		Temperature	
			inch	mm	psi	bar	psi	bar	mm	inches	lbs/ft	kg/m	°F	°C
6000GPWH-50	3/8" x 50' Assembly	3/8" Male NPT Rigid X 3/8" Male NPT Swivel	3/8"	9.5	6000	414	19140	1320	90	3.54	0.28	0.41	+41°F to +311°F	+5°C to +155°C
6000GPWH-100	3/8" x 100' Assembly	3/8" Male NPT Rigid X 3/8" Male NPT Swivel	3/8"	9.5	6000	414	19140	1320	90	3.54	0.28	0.41	+41°F to +311°F	+5°C to +155°C

Note: Specifications are typical values and subject to change without notice.

- Tube** : Synthetic rubber resistant against cold and hot water with common cleaning applications.
- Cover** : Abrasion, ozone, oil and weather resistant synthetic rubber.
- Reinforcement** : Two wire braid of high tensile steel wire.
- Temperature** : +41°F to +311°F (+5°C to +155°C)



Fittings – 7 Series